

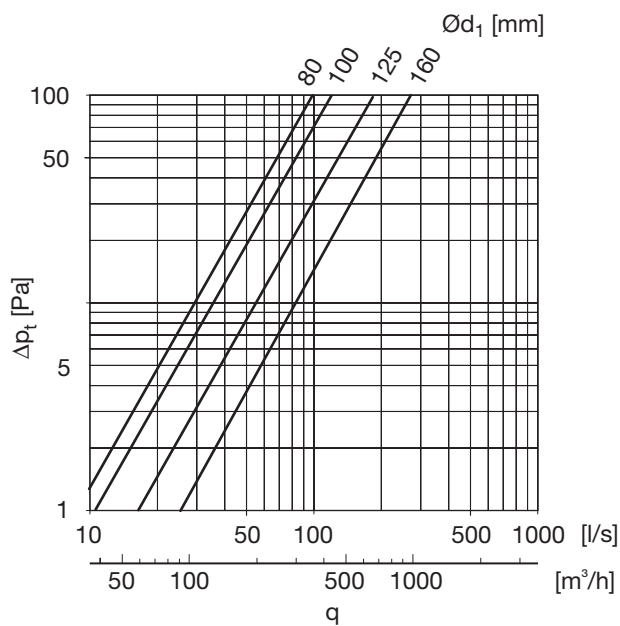
Bend – short

BKU90°

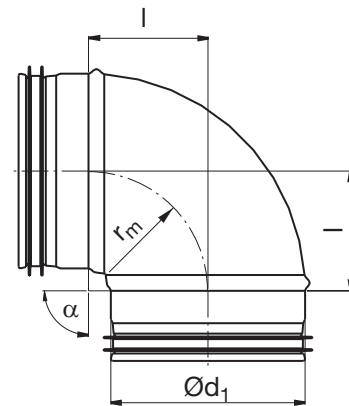


Description

Pressed and seam welded bend with short installation length.



Dimensions



$$r_m \approx 0,6 \cdot d_1$$

$\text{Ø}d_1$ nom	l mm	m kg
80	80	0,14
100	62	0,22
125	79	0,31
160	94	0,50

Ordering example

